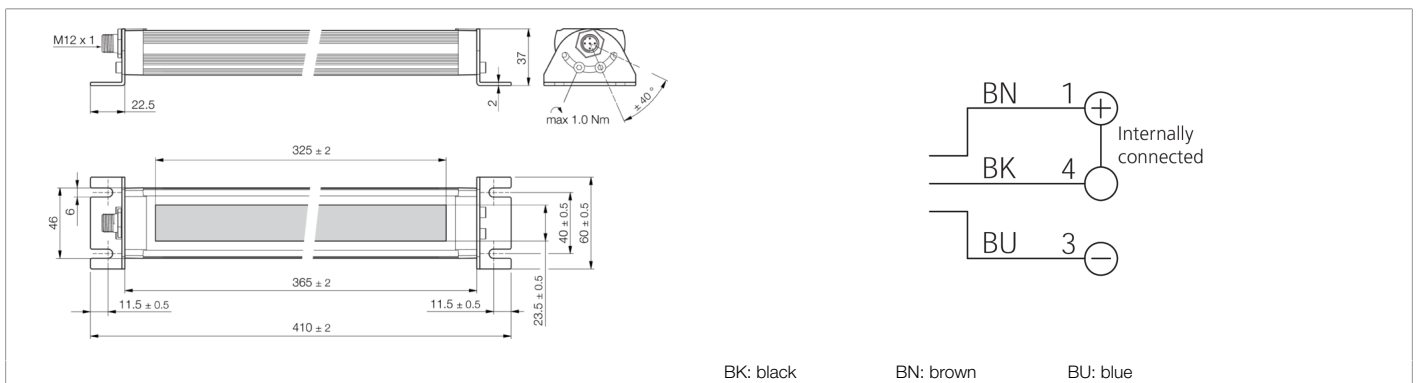




213804
MB-R-365-B5
Machine lighting, semicircle

- Extended temperature range -20 .. +50 °C
- 3 mm safety glass with opal-white glare reduction
- M12 plug connector for easy wiring
- Industrial quality due to IP 67
- Homogeneous light distribution
- Pleasant, neutral white light



Function										

Technical data (typ.)	+20°C, 24 V DC
Service voltage	24 V DC (± 10%)
Internal power consumption	335 mA (24 V DC)
Power	8.0 W (24 V)
Inverse polarity protection	Yes
Illuminated area	325 x 23.5 mm
Housing material	Aluminum (natural, Anodized)
Material	Tempered safety glass, diffuse (Diffusor)
Weight	570 g
Protection class	III, operation on protective low voltage
Risk group (DIN EN 62471)	Free group
Model	Machine lighting, semicircle
Service life	> 50.000 h (L70/B10)
Product series	MB-R
Energy efficiency class (VO 2019/2015)	G (A - G)
Color	White (5 000 K)
Deflection angle FWHM	106° (typ.)
Luminous flux	450 lm
Light yield	58 lm/W
Color rendering index Ra	> 80
Light intensity	<ul style="list-style-type: none"> ■ 2100 Lux (250.0 mm) ■ 600 Lux (500.0 mm) ■ 155 Lux (1000.0 mm) ■ 70.0 Lux (1500.0 mm) ■ 45.0 Lux (2000.0 mm)
Shock/vibration load	30 g, 11 ms / 10 ... 55 Hz, 1.0 mm



213804

MB-R-365-B5

Machine lighting, semicircle

Technical data (typ.)

+20°C, 24 V DC

Ambient temperature during operation

-20 ... +50 °C

Protection type

IP 67

Connection

Connector, M12, 5-pin (A-coded)

More information / accessories

<https://www.di-soric.com/213804>